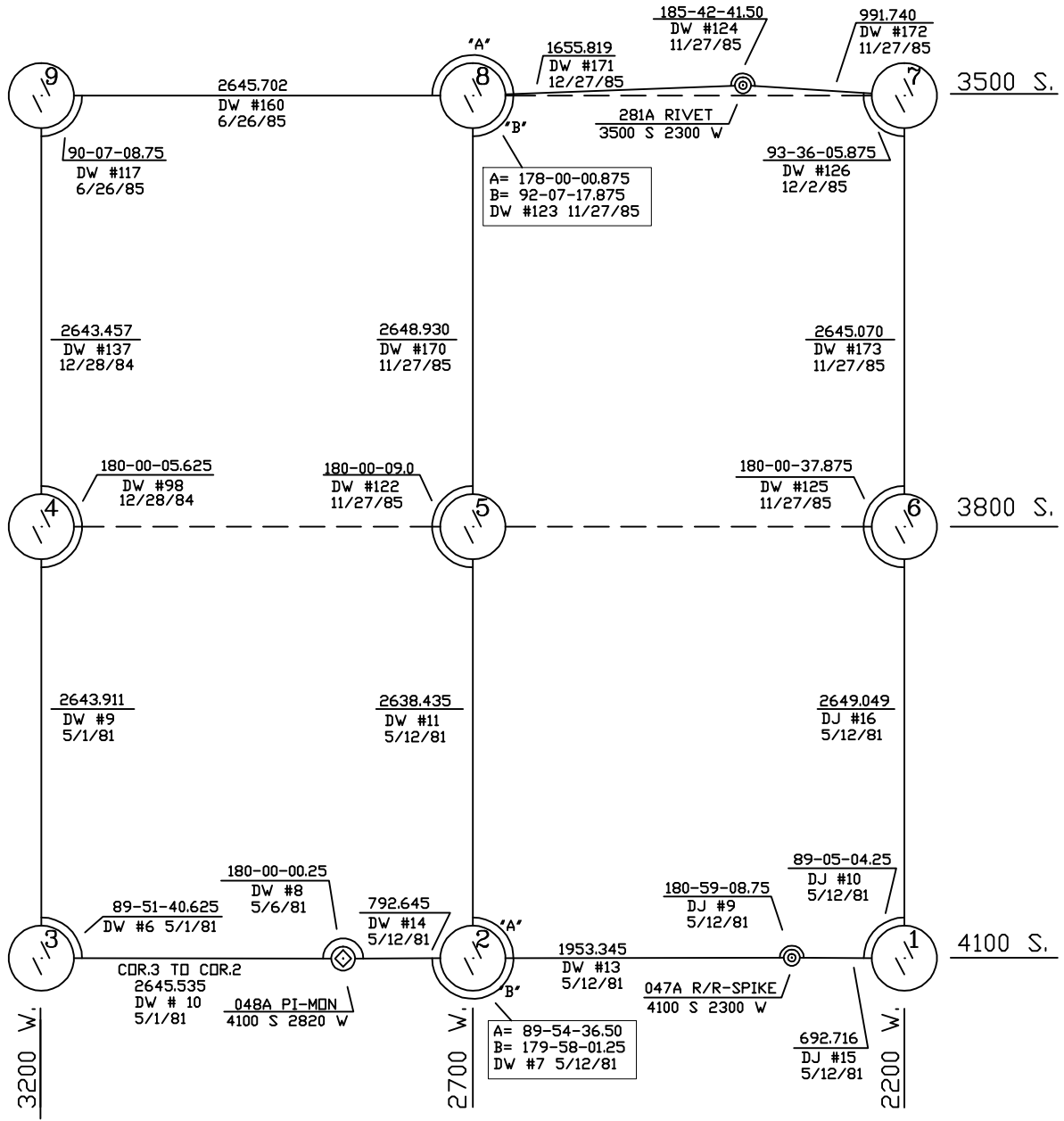


Section 33. T-1S, R-1W.

Prepared by the Salt Lake County Surveyors Office.



Revision	Date	Revision	Date
DRAWN BY: M. MURPHY	4/27/99		
CHECKED BY: ANG.S= M. MURPHY	5/14/99		
DIST.= M. MUHAR	11/29/99		